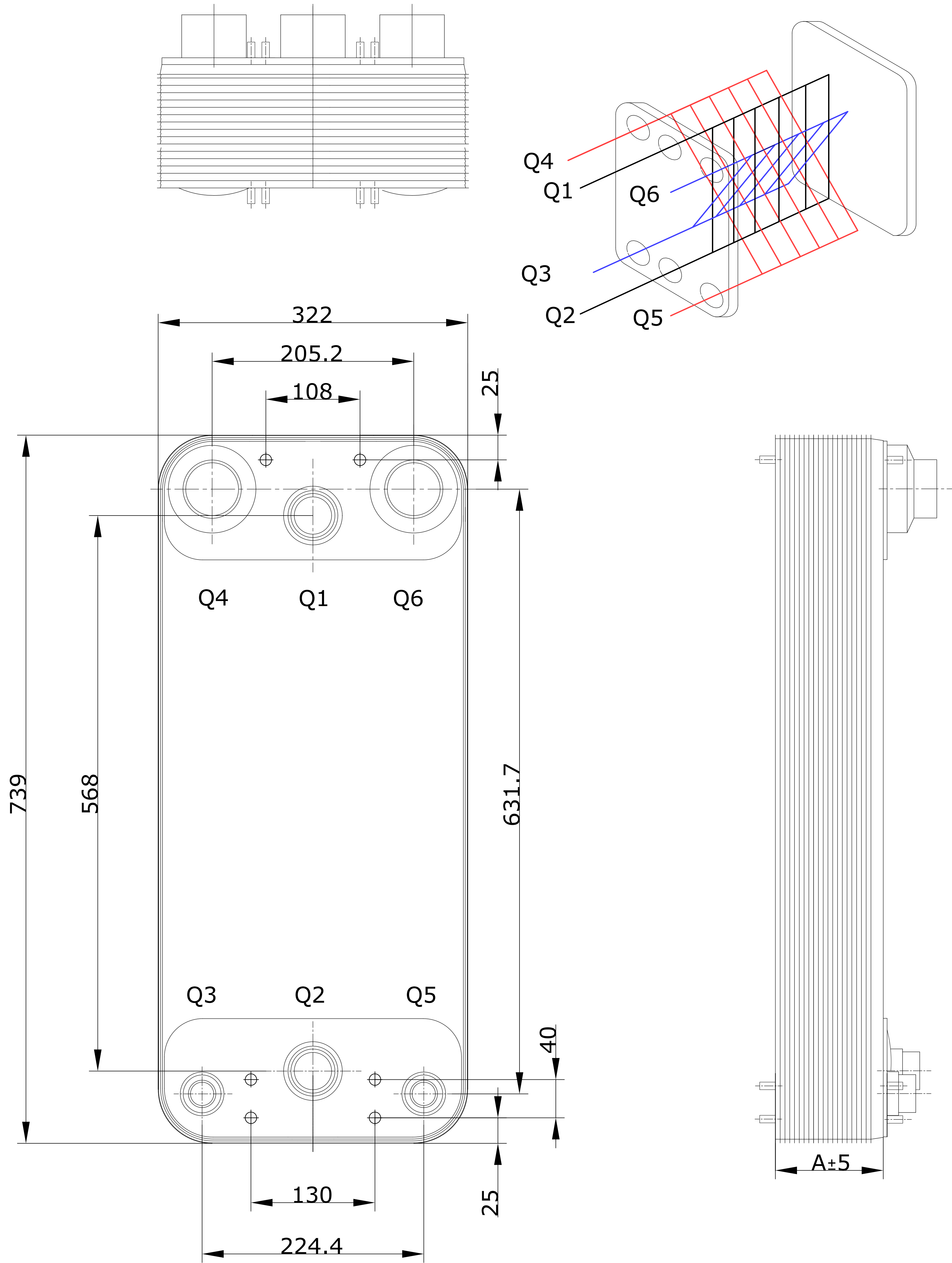
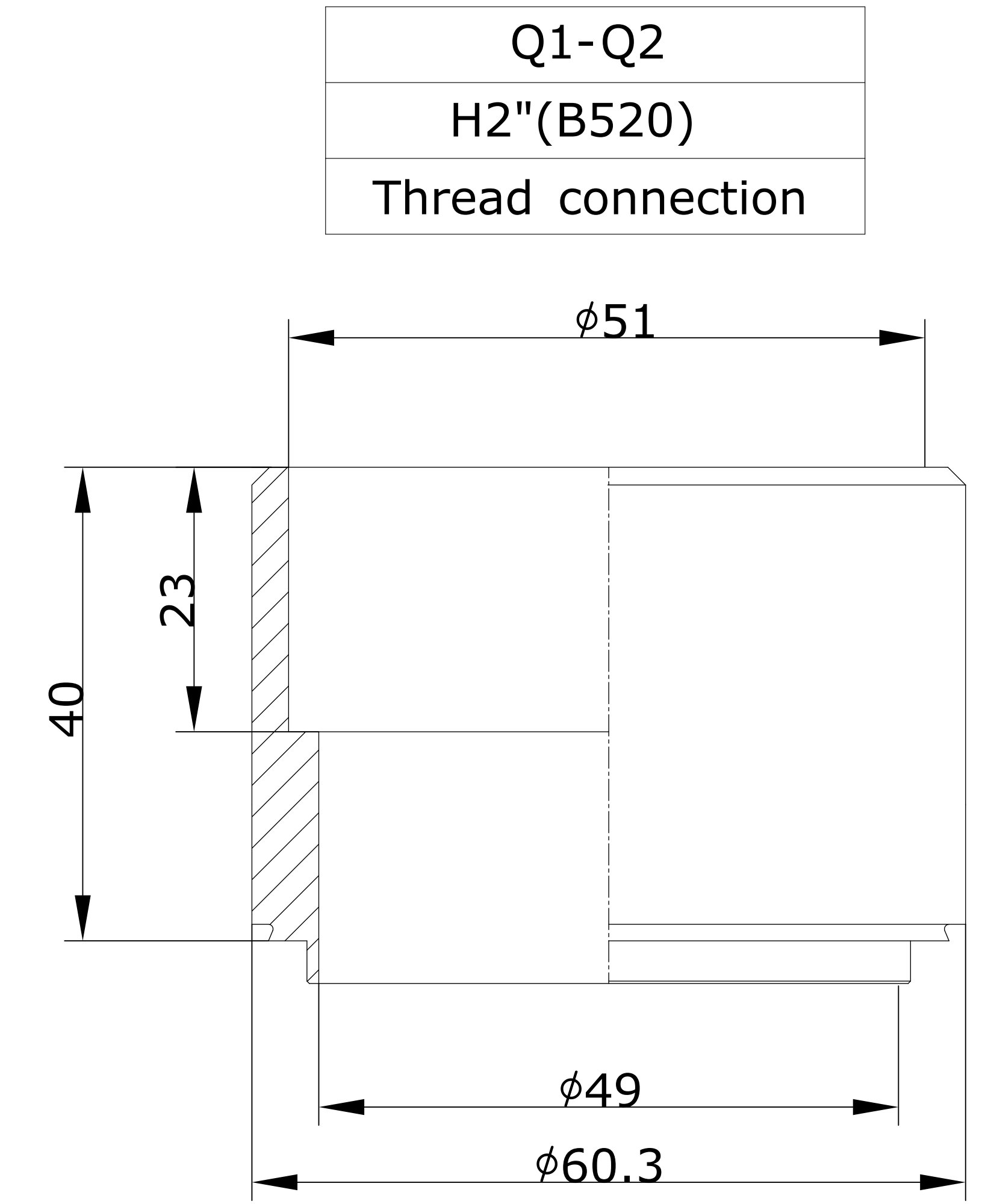
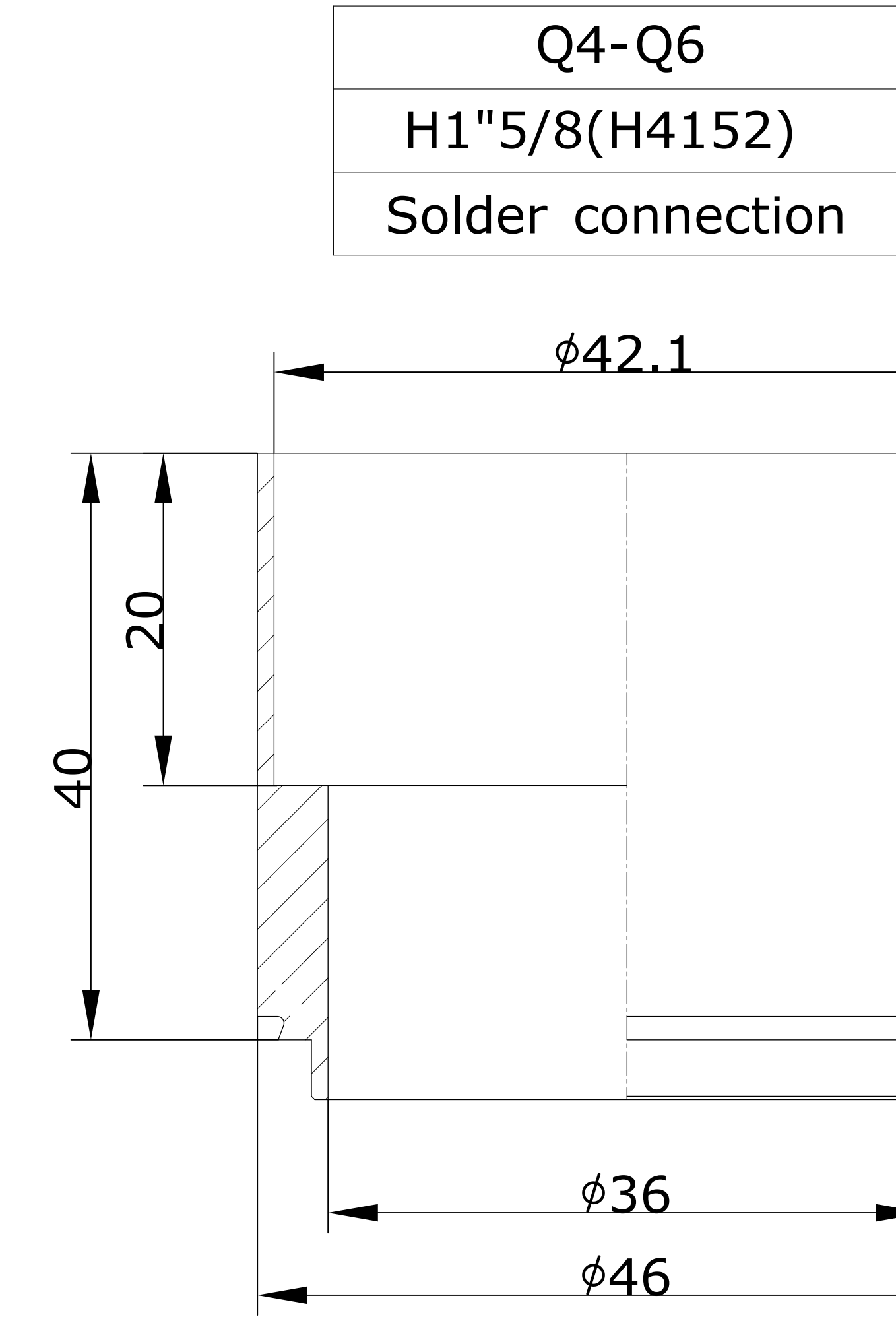
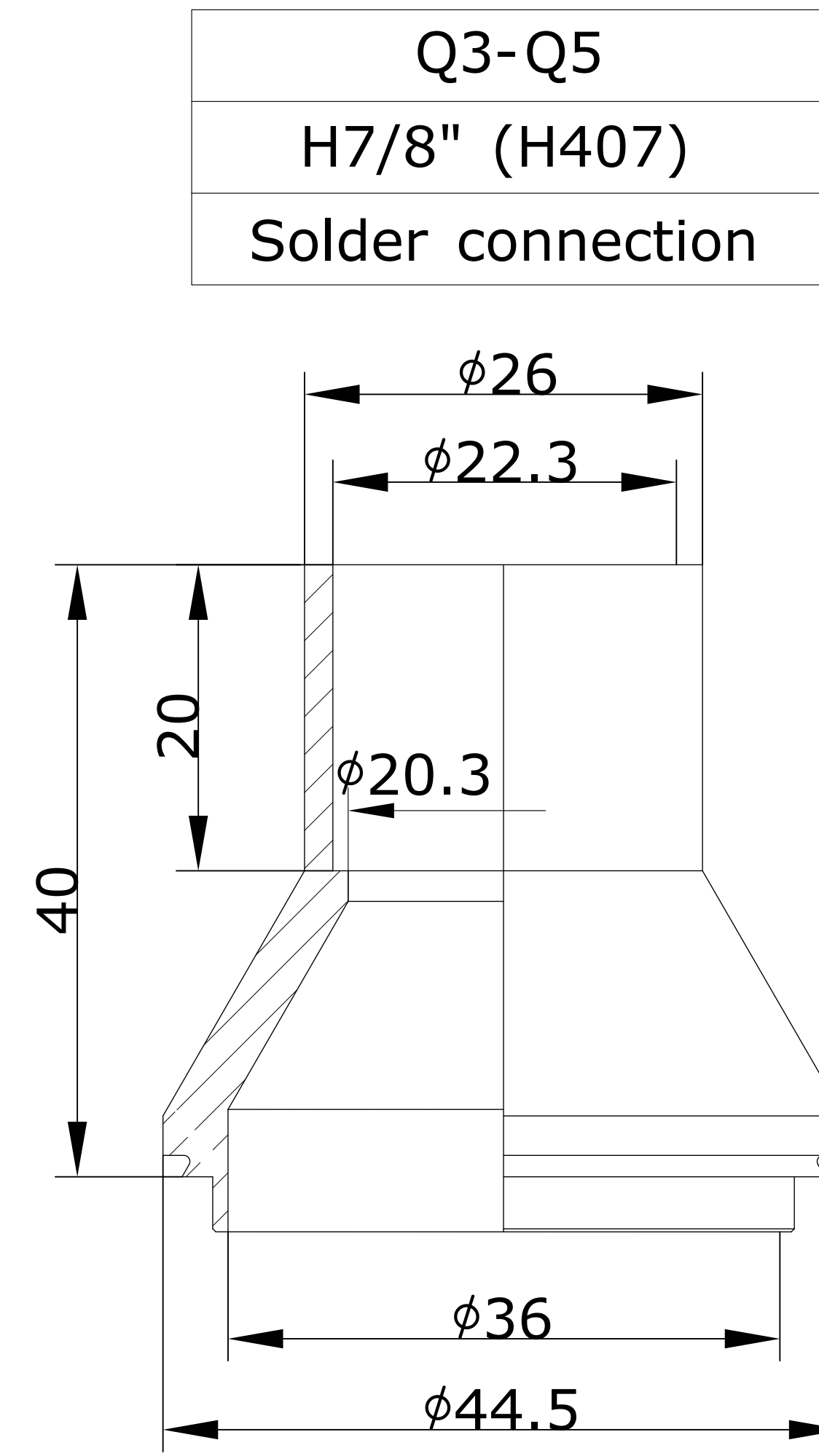


CONTROLLED



ID	RIDAN Code	Drawing No.	Model	Plates(n)	A
1	111B0185R	2308732	210	46	128



Note: Weld 12-M10X25 bolts at front and back side

DESIGN DATA	
DESIGN PRESSURE	3.0MPa
TEST PRESSURE	4.5MPa
DESIGN TEMPERATURE	-196/+225
LEAKAGE TEST	Helium Test
WEIGHT	46Kg
VOLUME	Q1Q2: 11.5L Q3Q6: 5.25L; Q5Q4: 5.25L
PLATE MATERIAL	316L
PIPE MATERIAL	304
FRAME MATERIAL	304

Assembly drawing	DEPARTMENT	Sales Department	DATE	SCALE	ридан RD-210-46-3,0-HDQ- Q1Q2(H2")/Q3Q5(H7/8")/ Q4Q6(H1"5/8)/12- 10M*25
	DESIGNER	JLN	2022/09/14		
	INSPECTOR	ZJF			
	APPROVAL	FL		DRAWING NO.	